

# M

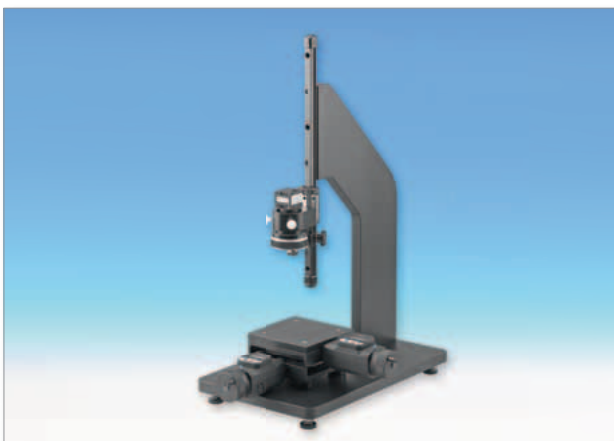
## PLATINUM

### The inspection system with maximum depth of field



For visual inspection of parts with large depth of field we use a 25 mm objective lens allowing a maximum magnification factor of 10x (based on a 17" PC monitor). This lens can be set to the required working distance and focussed with an adjustment ring located on the lens. A maximum field of vision of 100 mm (horizontal) is achieved at a shaft height of 500 mm, and the field of vision is 150 mm at a shaft height of 650 mm. With the USB 2.0 colour camera with 1600 x 1200 Pixels and the high quality illumination, consisting of a ring light

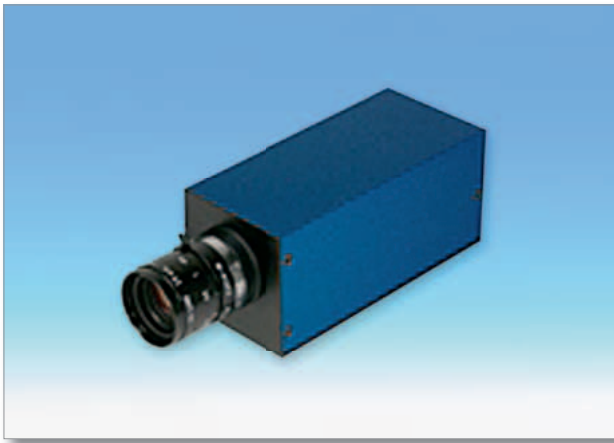
with angle of 15° and diameter of 60 mm, a diffuser (optional) and 150 Watt cold light source, this system supplies excellent images. The BE Metric software provided allows the images to be stored in a number of different formats. The cross hairs can be faded in with lines of various colours, thicknesses and types. The settings for the USB camera are saved automatically when the program is closed. The system is delivered with or without a ball table. The associated stand has a shaft height of 500 mm. The prices for the standard configuration are listed below.



A CV-ST series stand is required for use of a cross slide table for part positioning. These are available either with or without bottom light and the cross slide tables are available accordingly with a closed support surface or glass insert plate. Special stands with larger cross slide tables with

motion ranges of 300 x 300 mm are available on request





Cameras are available as an alternative, which can then be connected to a PC monitor. The DVI camera with resolution of 1024 x 768 pixels offers the possibility of showing cross hairs in the centre or four movable cross hairs in various colours. A second version is a DVI camera with sensor resolution of 2048 x 1536 pixels and output format of 1024 x 758 pixels. The special feature of this camera is that DXF overlays can be stored in the camera so that a PC is not required to compare parts. In principle this corresponds to a profile projector without

measuring table. The prices for the two DVI cameras are given in the component price list.

The Platinum unit is available mounted on 300, 400 or 500 mm long precision guides for installation on your own equipment. Moreover all components are available individually. The component price list available as a download lists all items in stock. Please request stands and positioning tables separately.



**Note:**

If the platinum lens is to be used in combination with the Metric Standard or Metric Plus software for measuring purposes, recalibration is required if the distance or measuring plane is changed, because the system does not have detents. Due to the large depth of field, it is necessary to ensure that the calibration plane coincides with the measuring plane, to prevent inaccurate measurements. The prices specified above including only the Metric BE software.

**Lens technical data:**

- Optical magnification factor of 0.1x to 0.5x
- Focusable from 50 mm to infinity
- 0.13% distortion at edges
- "Wide field" design for large images
- Extremely wide depth of field
- Limited beam deflection
- Extremely clear, high contrast depiction

Magnification	Object Size	Working Distance	Spot Size (microns)	Image MTF Cut-Off	Objekt MTF Cut-Off	Object N.A.	Image N.A.	Object Side Depth of Field
0.50	84.8	45	6.5	140	70	0.0212	0.0425	1.1
0.34	127.2	70	5.6	160	50	0.0159	0.0476	1.9
0.20	212	120	5.2	190	38	0.0105	0.0526	4.5
0.14	318	183	4.8	200	25	0.0074	0.0556	9.1
0.10	424	245	4.8	200	20	0.0057	0.0572	15.4

